



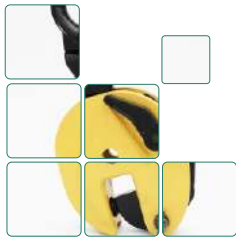
**Model: PLC**

## PLATE LIFTING CLAMP Flexible Solution

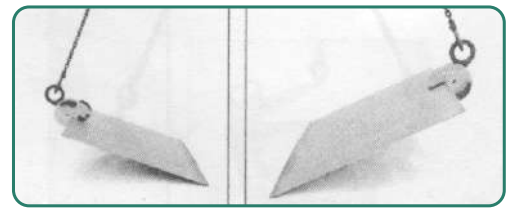
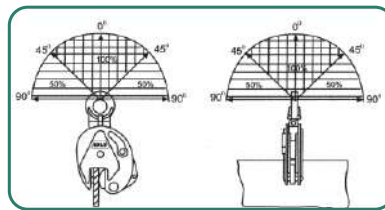
### Technical Specialities



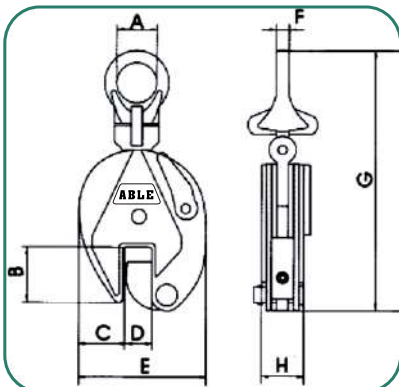
**Jaw and floor Material: 20 CrMnTi  
Meets standard BSEN13155**



- The Universal vertical PLC clamp is designed to ensure that the load can be lifted and turned (180°). Whilst at the same time ensuring that the load is positively retained.
- These clamps have a wide range of uses and are particularly suited for the lifting and turning of steel plates, ship sections and the extraction of pile sheets.
- Fitted with a hinged hoisting eye moving in all directions so as to enable the user to place and lift the load from any directions.
- Clamps are fitted with special hook-up facilities to enable easy fitment of the clamp in horizontal position.
- The new models have a greater jaw aperture enabling plates of varying thickness to be lifted with the same clamp.
- The clamp is fitted with a safety latch which ensures the proper use by means of a double locking device, both in open as well as closed position.
- This also guarantees a pre-load on the material being lifted.
- The clamps are suitable for surface hardnesses up to 37 Rc (345HB). Small overall dimension with a relatively high lifting capacity.
- Overall forged structure with good traceability and the safety factor of 6 times.



**Working Load Limit (WLL)-for loading capacity please consult diagram as above**



Product Code	Capacity Ton	Test Load Ton	A	B	Dimensions (mm)						Net weight kg
					C	D	E	F	G	H	
PLC 05	0.5	1.0	30	43	34.5	0-15	103	10	212	36	1.8
PLC 10	1.0	2.0	48	63	51	0-20	138	12	294	50	4.7
PLC 20	2.0	4.0	68	76	59	0-25	164	16	370	52	8.2
PLC 30	3.0	6.0	74	85	56	0-30	193	20	418	78	14.9
PLC 50	5.0	10.0	80	90	65	0-50	240	22	450	88	20.8
PLC 80	8.0	16.0	80	140	81	40-80	328	24	560	120	38.3